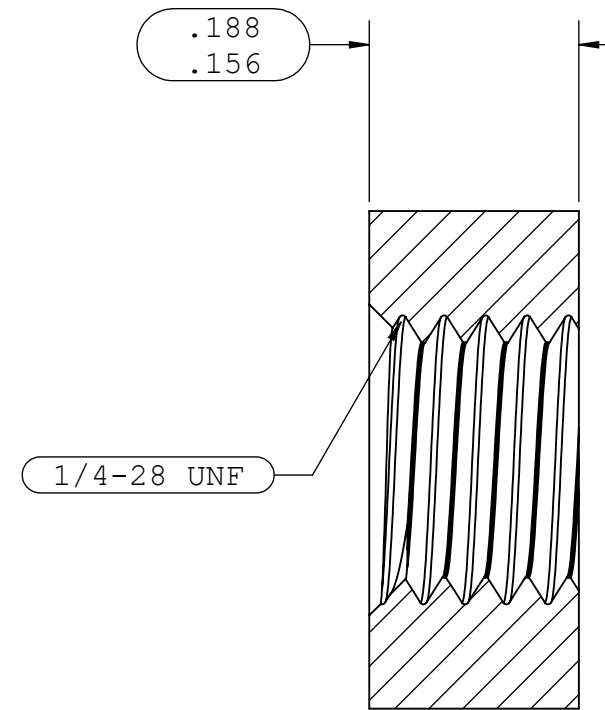
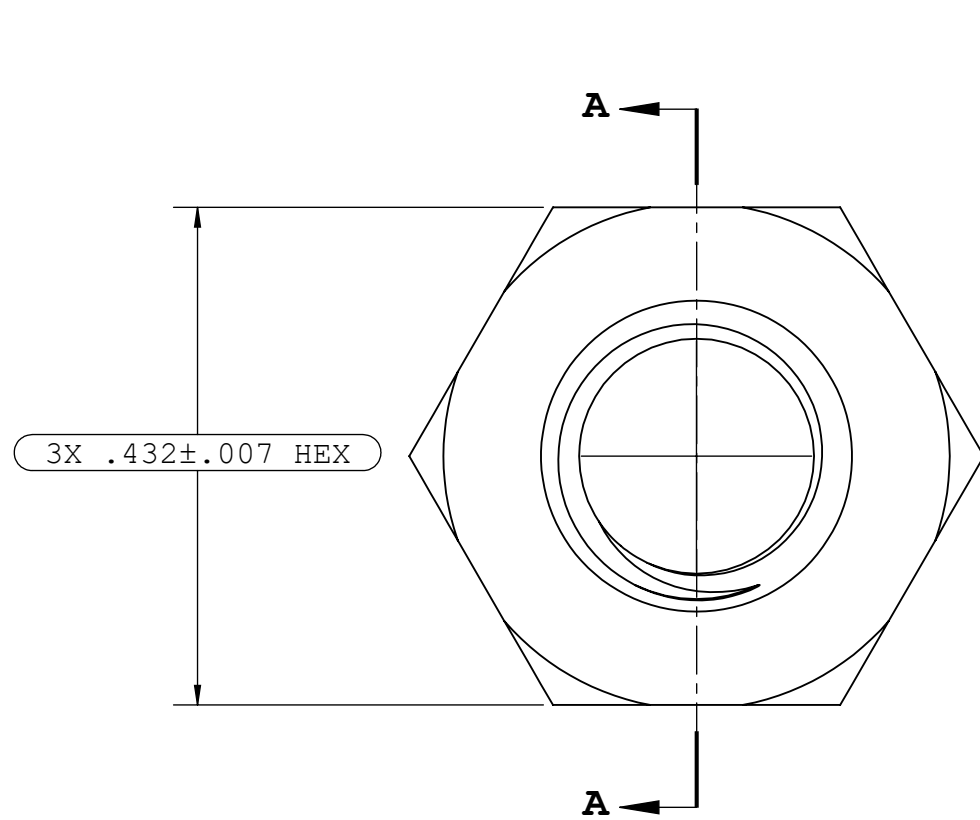
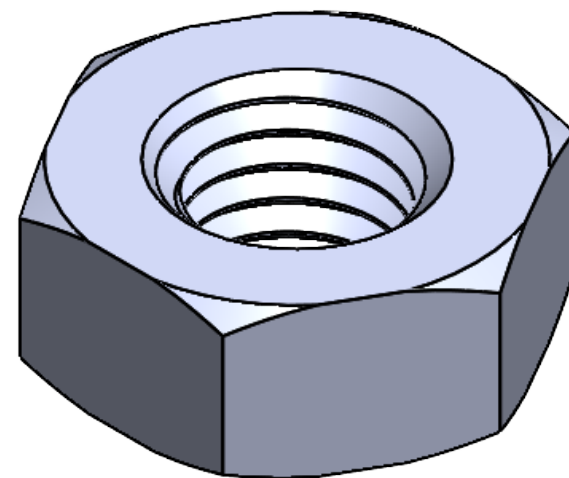


NOTES: FOR ADDITIONAL DETAILS, PLEASE CONTACT VP CUSTOMER SERVICE
 DIMENSIONS MARKED  ARE CONTROL DIMENSIONS

REVISIONS			
REV.	DESCRIPTION	DATE	APPROVED
A	INITIAL RELEASE	11-06-03	
B	CO 039 Drafting Update	05-08-06	Rick C.
C	ECO 193 Drafting Update	5-6-11	Rick C.
D	ECO 1299285	09-07-21	FJL



SECTION A-A



UNLESS OTHERWISE SPECIFIED DIMENSIONS ARE IN INCHES TOLERANCES ARE:		VALUE PLASTICS, INC			
FRACTIONS DECIMAL ANGULAR ± .XX ±.01 ± 1° .XXX ±.005 .XXXX ±.001		PART NUMBER: PMSN			
DO NOT SCALE DRAWING		DESCRIPTION: Panel Mount Nut 1/4"-28UNF with 7/16" Hex. (For use with PMS panel mount fittings)			
DRAWN BY: Chieu Pham	DATE: 05/06/2011	SIZE: B	SCALE: NTS	VER: 	DWG. NO. 1006838
MANAGER: Rick Cairns		© 2011 VALUE PLASTICS, INC			REV D
				SHEET: 1 OF 1	

FOR REFERENCE ONLY